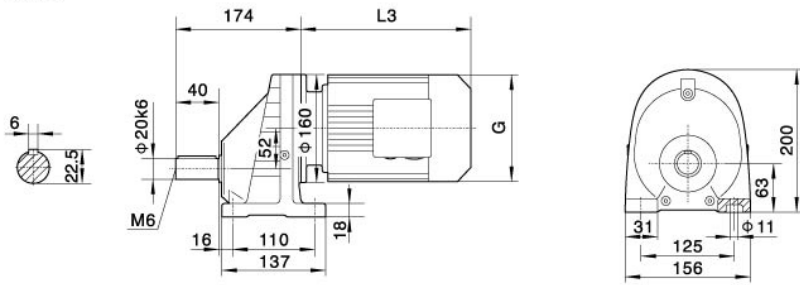
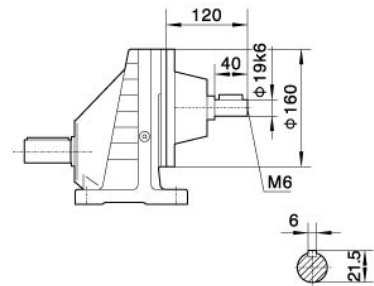


# 外形安装尺寸 Mounting Dimension Sheets-overview

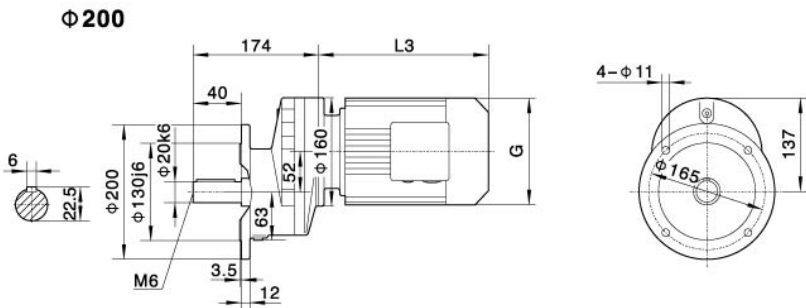
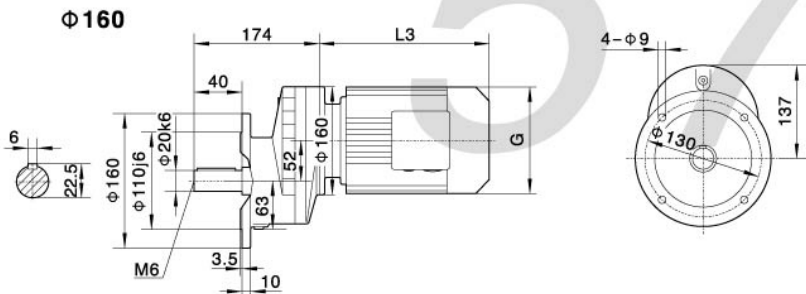
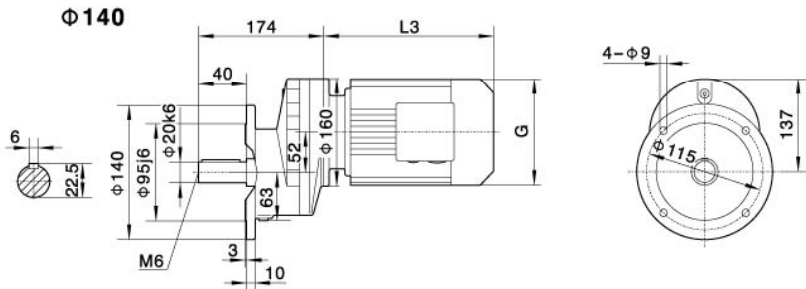
## RX57



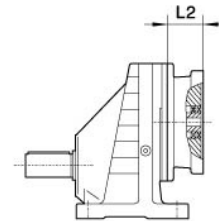
## RX..S57



## RXF57



电机需方配时或配特殊电机时需加联接法兰  
When equipping the user's motor or the special one, the flange is required to connected.



注：其余尺寸见相应的结构形式  
Note: For other values please refer to the oppsited structure

Y2电机机座号 Motor size	63	71		80		90S	90L	100		112M	132S
功率/4P Power/(kW)	0.18	0.25	0.37	0.55	0.75	1.1	1.5	2.2	3.0	4.0	5.5
L3	223	245		278		304	328	350		380	425
G	130	145		175		195	195	215		240	275
L2	81	81		81		81	81	93		93	101

注：“RX..”表示RX、RXF

Note：“RX..”mean RX、RXF